

# THEUS LED<sup>®</sup> 35W LED panel fixture 595x595mm with power supply

WE BRING YOU THE LIGHT!

LED panel fixture for installation on suspended covered ceilings.  
Dimensions: 595mm x 595mm, height 10mm.

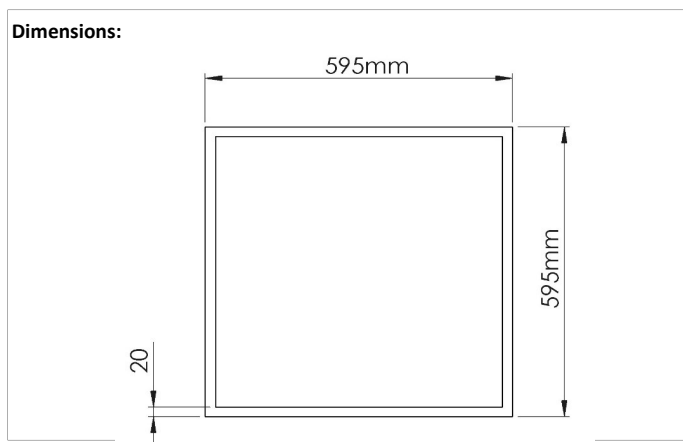
The fixture can be used as a direct replacement for 4x18W T8 and 4x14W T5 louvre luminaires. The luminaire is characterized by low glare, very high uniformity and perfect whites - 4000K.

The fixture is equipped with a high-class Tridonic Advanced power supply, which guarantees long service time.

Thanks to a specially designed housing, the luminaires offer both suspended and surface installation.

On special orders - these luminaires are also available in 3000K color version.

## Dimensions:



Code:	CCT/CRI:	Fixture power:	Fixture Ø:	Dimm .:
PL1-035N66-48-L000	4000K/80	35W	4200lm	-
PL1-035-66-48-L000	4000K/80	35W	4200lm	1-10V
PL1-035D66-48-L000	4000K/80	35W	4200lm	DALI

## Technical parameters

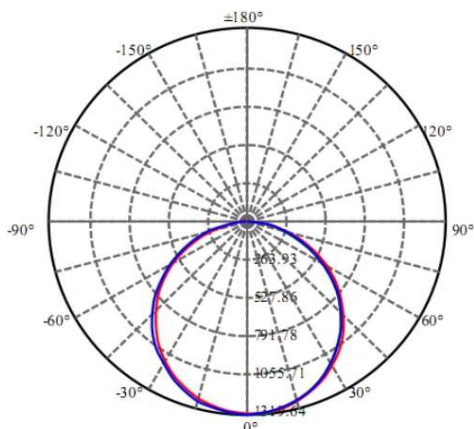
Voltage: 198-264 VAC  
 Light source: 204pcs SMD4014 LED  
 Power of LEDs: 32W  
 Actual Power Consumption 35W  
 Beam angle: 120°  
 IP rating: IP20  
 Working temperature: from -20°C to +40°C.  
 L70/B50 lifetime: 70,000 hours (according to IEC 62717)

## Dimensions:

Length: 595mm  
 Width: 595mm  
 Height: 10mm

## Material:

Aluminum housing  
 Plastic diffuser



Technical specifications are subject to change  
 201001V04

